

RegenBiosoil

BACK TO NATURE'S FOOD CHAIN

AS VIABLE NOW AS IN THE BEGINNING
AND WILL BE FOREVER

EXPLAINS HOW TO
ELIMINATE
ALL CHEMICAL AND
SYNTHETIC COMPOUNDS
FROM YOUR FOOD CHAIN

Intensively Grow **ESSENTIAL FOODS,
BEVERAGES & FUNCTIONAL MEDICINES**

www.regenbiosoildiy.com

“Only one thing good has come from COVID-19.

Pre-pandemic, there was no hope or desire for changing our present chemical agriculture practiced throughout possibly 40% of our world. Now 2021, has been the saddest chapter in human history. COVID has led to the realization that our chemical farming practices have removed the medicines from our foods. All farmers, food producers and self-made gardeners are now prepared to become a participant in the regeneration of our food producing soils and the production of pure food from the soils where the soils are based on nature.”

DR. Zack Bush, 14 September 2021

REGENBIOSOIL

A How to book

Dedicated to the memory of close friends and family whom became victims of cancer early in their lives.

Tim L., Paul L., Maryanne L., Graheme W., Bryce H., Diane T-U., David Q.

Family – Pam T. & John W.

Going Back To Nature may hold the key to linking healthy soil to healthy food and therefore to healthy people.

VIALE NOW AS IN THE BEGINNING AND WILL BE FOREVER.

TABLE OF CONTENTS

RegenBiosoil.....	3
Composition of RegenBiosoil	3
RegenBiosoilDIY	5
Brief Operation Description	8
Bio-Accumulator	9
Liquid Compost	11
Brief History of Farming	13
Participatory Guarantee System – PGS	14
Productivity VS Consumption	15
Viability	16
Above The Required Standards of Organic Produce	17
More RegenBiosoil Resources	18
Brief Guide to Getting Started	19
Composted Vegetation to Liquid Compost	21
The Ending	22
References	22
About Ross Thompson	24

RegenBiosoil

*This is an intensive form of agriculture that fast-tracks the composting processes. The **Regen** stands for Regenerative. The **Bio** stands for Biological forms of cultures based on nature. This affordable system enables real Regenerative soil agriculture in High Rise residential buildings and it is suitable for all urban or regional house gardens and can easily be scaled up to renew the biology back into the topsoil on all large scale cropping or grazing enterprises - and everything in between.*

RegenBiosoil is about **soil health increase** as time goes by. The increase is passed onto ourselves with each future harvest.

You do not have to join a Commune, you do not have to change your lifestyle. You only need to join a RegenBiosoil PGS group where the supply chain is short.

Composition of RegenBiosoil

Approximate formula that I have been using. This is a start-up which has been worked out between the Biodynamic/Organic organisations.

All forms of life including our immunity are conceived and birthed in our soils! Scientists now state that: 'such processes are as mysterious as Creation itself'. The DNA of the microbes in the soil is passed onto plants. When we consume the plant leaves and fruits, the DNA of the soil becomes ours

For more information see Dr Zach Bush and others on the resource page of our website: <https://regenbiosoildiy.com>



75% well composted vegetation consisting of tree branches and leaves, make the best top soil. Also, garden and crop residues including weeds can be used.

Added to RegenBiosoil at all times will be:

- A Mineral mix of Known Minerals
- Micro-mineral/Nutrient Compounds from both land and ocean floor. *Science says they are equally as important to our health as Known Minerals, they are numerous and have not even been named yet. They are present in well-composted soil.*

This explains our MICRONUTRIENT INADEQUACIES that we never know about and no one or any doctor can help us with.

This also means that we have to know that our essential foods have been grown in well composted soil.

- Soil Enhancer-Probiotic preparations from the land and sea
- Balance soil with a good clay content

Below are the sources of “FOREVER CHEMICALS” and possible ‘HARMFUL PATHOGENS’:

- NO MANURES
- NO ABBATOIRS BY-PRODUCTS
- NO BIOSLUDGE
- NO BIOSOLIDS
- NO SYNTHETIC FORMS OF FERTILISERS

Everyone has the right to produce the above start-up RegenBiosoil. Soil scientists with the Biodynamic/Organic Groups and organisations will provide FUTURE recommendations to improve this start-up RegenBiosoil.

Future updated world class soil and health information can become part of your life from the day it is released.

It is unfortunate that a considerable proportion of the food we consume looks exactly the same as the food that is grown in real soil. RegenBiosoil combined with Participatory Guarantee Systems (PGS) enables you to become part of your own food chain. All fake foods that are synthetically grown or cultured in a laboratory can never sustain human health. For more information go to our website: <https://regenbiosoildiy.com>

RegenBiosoilDIY

- Start a RegenBiosoil garden for your household. Convert your existing home garden to a RegenBiosoil garden
- With RegenBiosoil in your garden, your plants become healthier with each future harvest for you as time goes by. This means producing food and beverages with increased quality for your daily consumption. This also means that your last meal on planet earth can be the healthiest in your life – ***this is our birthright.***
- I now regard the RegenBiosoil in my Bio-Accumulator as an asset. They are now in their fifth year of regeneration and if I ever move residence the soils go with me.
- With space as big as a home swimming pool, you can grow your '***Essential Foods***', '***Beverages***' and '***Functional Medicines***' for your family.
- '***Functional Medicines***' are '***Foods***' that prevent and reverse human diseases and ailments.
 - (***God placed in nature the biology for all human needs.***)

- Enables the elimination of all chemical and synthetic preservatives that are used in most processed foods and beverages and pre-cooked foods. [More information is available on the Resource Page of our website: <https://regenbiosoildiy.com>]
- Most families will have surpluses from time to time. This can be given away or be part of a small business. I say 'small business' because the supply line must be short. It is impossible for any form of big business to supply or grow your essential freshly photo-synthesised produce and deliver on a daily basis. **See PGS (participatory guarantee systems) marketing**
- People living in isolated regional towns and farms have been disadvantaged by the present food chain, simply because of the time and distance between when produce is picked and how far you are away from the centralised distribution centres. These people also have the most to gain from RegenBiosoil.
- RegenBiosoil growing of microgreens in Grow Rooms under LED lighting could become a feature of Residential Unit Dwelling. If you are connected to city and town mains water supplies it is best to install industrial size filtration. [for more information go to the Resource Page or our website: <https://regenbiosoildiy.com>]
- It is possible to intensively grow microgreens to provide most of your essential foods. They are easy and quick to grow, have a higher protein content than the eventual fruits and vegetables. They can be snap frozen and conveniently provide something nourishing when you are away from home. *Just Google MICROGREENS* to be informed, how and what to grow and the health benefits of each.



- You can become involved in RegenBiosoil in Australia RIGHT NOW as an average size house yard is sufficient for you to grow everything.
- Start-up enterprises can be established right now with the following:
 - Construction of Bio-Accumulators
 - Supply of vegetation
 - Woodchip/shredder contractors
 - Composters
 - Production of RegenBiosoil
 - Processing of Liquid Compost
 - Distributing of RegenBiosoil and Liquid compost
 - Sale and delivery of potted plants and other produce utilising RegenBiosoil.

Note: There are numerous reasons why the next 20 years have to be different to our last 20. It is RISK-FREE and you are needed right now to make a difference on the planet.

- Share agreements similar to share-farming could enable those who do not have land to have a start. Australia has many lifestyle farms, they could be turned into productive enterprises. Neighbours, friends, or nearby community could form RegenBiosoil PGS groups and become responsible for their own food chain.
- Produce and farmer markets could become the community centers where consumers and RegenBiosoil producers meet and establish PGS groups. For every unit dweller there will be producers of RegenBiosoil willing to supply direct to you on a regular exchange basis.



Brief Operating Description

Wood Chippers/Shredders – the one you can see cost less than \$1000

These are suitable for urban and market gardeners. There are larger PTO Models ideal for lifestyle and broad acre farms. There are also large size mobile machines suitable for contractors, up to 600hp which have a production capacity of 40 - 50 cubic metre per hour. These machines enable us to restart incorporating all form of vegetation into our topsoils, thus pursuing rapid decarbonisation and lowering our carbon footprint. You will not have to use a cross-cut saw.



Bio-Accumulator

The Bio-Accumulator enables a number of Regenerative Practices.

- The first and foremost of importance is that all forms of vegetation and crop residues are returned to the soil.
- Enables Fallow. This means giving the soil a rest in between crops.
- Enables produce rotation which means that after the produce has been removed, the soil and the roots are returned to the top of the Bio-Accumulator (chamber 3). In the Bio-Accumulator they are mixed with a variety of other soil and root systems that have been used to grow a variety of other produce.
- Enables maximum exposure to the spiritual forces of nature. The sun and the moon rays as well as all the heavenly realm has to offer
- The Bio-Accumulator is constructed with insulated polystyrene panels. The reason for this is because all Flora and Fauna microbes cannot handle quick changes in temperature. Thicker insulation is required for extreme temperature zones.

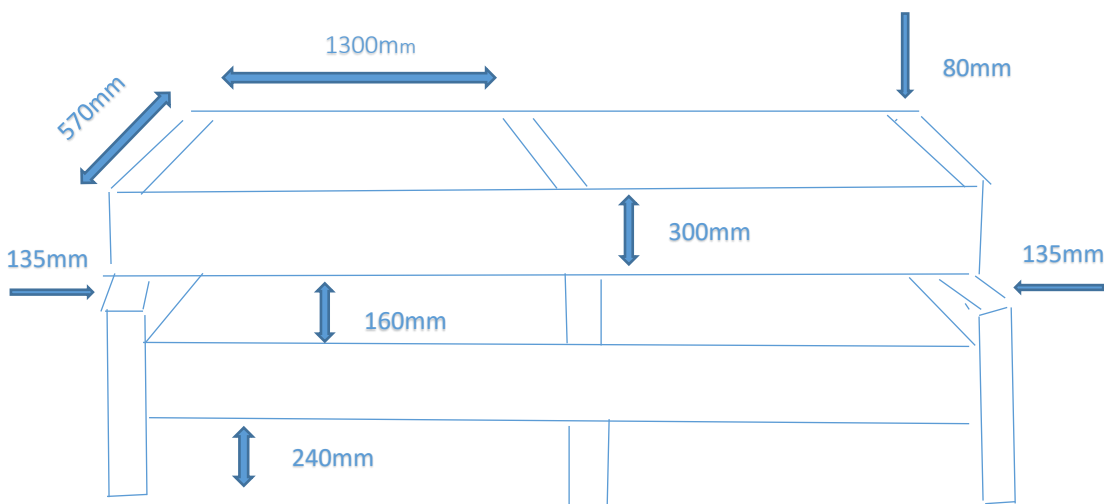


This is an easy process and anyone can build one with simple instructions. No council approval is required as composting processes are constantly taking place all around us. They would sell well as a flat-pack.

As you can see the Bio-Accumulator consists of three chambers. Two are for woodchips and other forms of vegetation, and the third is for the regeneration of your soil. This is suitable for most urban and market gardeners and at certain times during the year you will have excess production of RegenBiosoil. There will be people close to you who would wish to grow their own essential foods and do not have space for a Bio-Accumulator. This also applies to people residing in a unit with no backyard space. Make maximum use of your Bio-Accumulator to grow a successful small business; see PGS – Participatory Guarantee System

I used a 2 Chamber Bio-Accumulator to start with and then went quickly to 3. The design below is built with 80mm thickness panel, the measurements you see are all internal dimensions. Side aeration is an important feature, it also enables regular injection of liquid compost to maintain fermentation. The mineral and micro-mineral/nutrient compounds have been added to the liquid compost at this stage.

Best design is with three chambers instead of two.



Liquid Compost

Two 1000 litre tanks are required for the production of liquid compost. 30kg of the well composted woodchips and vegetation are diffused into 800 litres of water to produce liquid compost, ideal for house and market gardeners. Briefly, two types of pumps are required, Mineral and Micro-Mineral compounds are added to the liquid at this stage. Aerobic Fermentation is maintained until it is watered onto gardens, paddocks and crops etc. ***This is now Regenigation.***

Compost teas are not the same as 'Liquid Compost'. ***The nutrient composition of Liquid Compost is in direct proportion to the amount of composted material that is diffused into the liquid.*** I use a 1hp Trash Pump and a 2hp Cutter Pump as part of the diffusion process.

Applications of concentrated liquid compost slurry could become the viable replacement of synthetic fertilizers, on all food producing soils. It is possibly the only way.

THIS WOULD RESULT IN RAPID DECARBONISATION TOWARDS OUR CARBON FOOTPRINT.

Here is something for farmers and all involved with fruit and vegetable production to think about – ***if I can diffuse 30kg of well composted vegetation into 800 litres of water with the above pumps, just think what you can do with increased hp.*** It will only take one day's work to convert a boom spray into a liquid compost applicator. Regenigation could become the method for irrigators to intensify production, and use less water. The day is getting closer to when the consumer will only purchase produce from well composted topsoil. Farm values may also be based on the amount of Regenerative Practices utilised over time.

Most farmers have tree belts on their farms allowing branches and leaves to be harvested and composted annually. This composted material can be turned into liquid compost to be infused into their topsoil regularly. Also, there will be big demands for bagged and bulk well composted vegetation in the cities.



All vegetables and other greens are watered with liquid compost at all time. This enables very intense continuous production of nutrient dense plants. As an example, I grow barley for laying hens and barley juice, which is part of an essential smoothie we consume every meal, regularly they are made into snap frozen ice-blocks so we have them when we are away from home. When I was growing the same barley for the brewers on my farm in the North West of New South Wales I used a sowing rate of 9kg per hectare. I am now growing barley at 9kg per 3 square metres. Also when I grow microgreens the seeds are placed touching one another. The soil never runs out of fertility when you are watering with liquid compost. Regenigation is possibly the way forward for farmers large and small to intensify production when limited amounts of water is available to them.

Intensive production is also achieved when your garden or pots have their produce removed. The soil and the roots are returned to the top of the Bio-Accumulator (to be placed in chamber 3) via wheelbarrow. The wheelbarrow is then filled with Regenerated Soil from the bottom of chamber 3 to be returned to the garden beds. The beds are then seeded or planted and are back into production within 2 hours.

BRIEF HISTORY OF FARMING



The above photo is a representative of the era 100 years ago.

At that time the farming sectors were moving from oxen and horse drawn ploughs to early motorised tractors. Cross cut saws and axes were used to clear the land. Decisions to move to chemical farming practices were made during that era. ***This was the start of chemical and synthetic farming. Synthetic medicine was soon followed.*** They justified this move by labelling it as the reason to feed the growing world population. There were lots of scientists during that time who spoke about the dark consequences of this change.

One of these scientists was Rudolph Steiner. He is the founder of Biodynamic Farming and Waldorf Schools. In one of his lectures, 100 years ago he stated that those working the land should never move away from the old cultures based on nature. He spoke of the dire consequences for humanity as result chemical and synthetic farming practices which would eventually destroy the soil biology. He also predicted that from the year 2016 to 2040 there would be serious consequences and chaos for Planet Earth because of chemicals and synthetic farming practices.

RegenBiosoil is the blending of the old cultures based on nature and Regenerative Practices utilising machines and industrial processes. It can enable the elimination of Synthetic and chemical compounds and ingredients from our present food chain.

If you are a professional involved in soil science, or belong to many the human health sectors and agree with this webpage, I urge you to share especially with those under 50 years of age, of the huge benefits that come from real foods and beverages grown in soil where the farmer or gardener is practicing Regenerative agriculture. Regenerative agriculture is the way it used to be before farmers like me started using synthetic fertilisers in 1967 and then using the selective weedicide (24D) in 1968.

PGS – Participatory Guarantee System

All your essential food could be marketed through PGS as most will be consumed fresh and raw. A Participatory Guarantee System is an agreement between 2 people or a small group of people, all involved in the agreement audit each other and is based on trust. This is happening throughout the world, including Australia. It is ***Written Agreement*** between all involved and it is not a contract and does not require certification from a semi-government authority. Landscape suppliers, Nurseries and Large Retailers would require certification of **RegenBiosoil** products and produce. They will have to negotiate with the semi-government certifiers. Never think that PGS is an unorganised sector. By participating you are part of small groups worldwide that provide multilingual knowledge on how to prioritise the nurturing of our soils and it is FREE.

If trading in Australia an ABN – Australian Business Number is required, however PGS throughout the world operate **bureaucracy free**. As you are responsible for the auditing, local government inspectors are not required so make sure that your future councillors are PGS friendly.

The way to prevent yourself from any forms of illness, is to know the health status of the topsoils where your essential foods are produced. As a purchaser PGS enables you to regularly inspect (Audit) the RegenBiosoil growing and packaging sites, this ensures that all those involved are complying with the ***Written Agreement***.

Regional producers of RegenBiosoil or composted vegetation, whether bulk or bagged could have a PGS agreement with an urban based distributor, in which case the distributor could have various PGS agreements with urban residences and unit dwellers.

In Australia there is a large space in the market for everything that has a functional health value. Throughout Asia PGS Open Days are held to bring producers and customers together. Regional producers should not be disadvantaged as all chiller trucks that deliver to regional areas would appreciate back-loading of produce.

Productivity vs Consumption

Consumption spending by big Governments will have a devastating effect on everyone. Inflation and taxes will erode our standard way of living. Now is the time to become part of the Productive Sector and take control of your health at the same time. RegenBiosoil will possibly enable more people to be part of the Productive Sector, especially the younger generation.

Selling your surpluses of snap frozen microgreens could possibly provide security, ***we all may need produce to barter or trade with. Expansion could provide you with all the security you will ever need, the security that we had in the past might not be available to us in the near or far future [10.01.2022]***

Australia, NZ, USA and the UK all follow similar agricultural practices

Here we are in the 2020's with a large number of terminal health problems and everyone is affected. Soil scientists and health professionals from all around the world are stating that we must now introduce Regenerative Practices to our food producing soils. ***With RegenBiosoil our food becomes healthier with each future harvest as times goes by.*** This is opposite to what we have done to our soil over the last 100 years, especially the last sixty years. Our food producing soils are now said to be *confused, contaminated* and *exhausted*. ***This soil exhaustion leads to the detriment of each harvest that follows.***

Viability

RegenBiosoil is a practical guide that shows you how you can viably apply Regenerative Practices to your food producing topsoils. *Viable is the key word.* It does take time and effort, however once established any 9 year old or 90 year old is capable of being involved. Much of the effort is in the growing whether indoors under LED light or outside, much more of your time will be in the kitchen with normal food preparation, snap freezing or fermenting. There are very good Biodynamic/Organic producers who are viable, however they have to rely on the existing retail trade to reach the majority, this results in longer shelf life produce and costs. The DIY aspects of RegenBiosoil, Distributors, Purchasers and PGS where all involved audit [inspect] each other will ensure future viability. There is every possibility that RegenBiosoil will lead to a statement like: *'You won't be able to afford to take the risk of purchasing conventionally grown food'.*

Today participatory guarantee systems are an alternative marketing strategy for our essential food.

CHANGE IS INEVITABLE, PGS MARKETING IN CONNECTION WITH REGENBIOSOIL COULD POSSIBLE BECOME THE FORM OF MARKETING FOR YOUR ESSENTIAL FOODS. ALSO, YOUR FOOD AND BEVERAGES WILL BE 100% PRESERVATIVE FREE.

The reason why no one talks about PGS is because so many people have a vested interest in you not knowing about it. It is never mentioned in our education institutions which it should be. For everyone who considers themselves "The younger generation" should seek knowledge of PGS, and the many ways it can be applied to their lives.

- PGS enables the direct participation of producers, consumers and distributors.
- All involved are responsible for the inspection of the productions chain.
- Certification procedures are to ensure compliance to the 'WRITTEN AGREEMENT'.
- Paperwork is required for all produce detailing everything from soil to sale of produce.
- Similar to organic inspections can be made by consumers at any time.

IS REGENBIOSOIL ABOVE THE REQUIRED STANDARDS OF ORGANIC-BIOCYNAMIC PRODUCE?

I have been a member of both the Organic and Biodynamic organisation for the most part of my life. It is good to be a member of these groups whether you intend to become a certified producer or not. My experience as a certified biodynamic producer led me to develop RegenBiosoil.

BAA – Biodynamic Agriculture Australia Ltd provided me with an understanding of all natural processes that have to come together in order to produce healthy foods. Now living in the city of Gold Coast I realised this natural soil-produced food has to be made available to urban dwellers.

Please see the section Participatory Guarantee Systems – PGS above as you will see standards and compliance involve both the consumer and the producer. If all involved in the group set the standard above Organic-Biodynamic then this will ensure that everyone adheres to their individual standard requirements.

The ***Original International Protocols for the production of pure food (Geneva)*** have now been compromised by a large number of states and countries. Bureaucracies have compromised the standards to satisfy commercial vested interests. PGS and RegenBiosoil will always remain ***Bureaucracy Free*** due to fact that all involved will set the standard and be involved in the inspections and compliance.

MAKING HEALTH BLOCKS FROM FRESHLY PHOTOSYNTHESED MICROGREENS



MORE REGENBIOSOIL RESOURCES

Today's Human Health Crisis and Future Change

The webpages below on RegenBiosoil Resources, by many Natural Health Professionals and those involved in Soil Science, provide us with updated **soil, nutritional** and **functional medicine** advice for today's and future health crisis. This advice can be applied to your lives from the day it is released. As this advice becomes available it will be regularly updated.

Please go to our website for more information: <https://regenbiosoildiy.com>

In brief, what you will find...

In the last 100 years the food chain has **denatured our Essential Foods**. So, we know that things must change and we hope that RegenBiosoil will inspire you to make that change. Nature will guide you and it is a good idea to join one of the many Regenerative/Organics groups. When making the decision to start, be mindful that the foods we consume as we grow older have to be healthier and fresher.

We hope that you now have enough information to commence regenerating your foods topsoil. We will eventually have two YouTube video clips available. You will see at the end of this article where you can contribute towards the promotion of RegenBiosoil, this would be appreciated as we are individuals not a corporation, we just wish to get this to everyone who possibly needs it.

First Video Clip will be for urban residential living. It will further explain RegenBiosoil and PGS marketing. It will demonstrate what is hard to explain in worlds, and also have information for the RegenBiosoil produce purchaser.

Second Video Clip will be for all farmers and livestock producers. It will further explain scaled up production of liquid compost and Regenigation. It is only natural that you will be using Bunkers and Windrows for your composting. Over the next 12 months we will be having 2 trials. One will be with Sugar Cane production on the northern Gold Coast, 500kg of fertiliser is used per Hectare. We aim to find out how much Liquid Compost is required to achieve the same production. The second trial will be with the production of cattle fodder 10 kilometers west of Gravesend on the Gwydir River, it will be with dry land fodder production as well as Flood Regenigation.

BRIEF GUIDE TO GETTING STARTED

This start-up composition is simply a good guide as updated information is gathered and new experiences become available. **CHANGE IS INEVITABLE**

The quality of the composting vegetation is always important. Tree branches and leaves are said to be the best, however all forms of vegetation can be utilised if they are nearby.

When sourcing forms of vegetation for composting make sure that it has not been sprayed with pesticides or weedicides. Environmental toxins can be traced in vegetation however the composting process can mostly eliminate them.

Council will very often have free chipped green waste available for anyone to pick up. Tree Loppers on the other hand will deliver their green waste to you, if you are nearby, so they don't have to pay for their disposal at a landfill.



The Natra-Min is an example of Known Minerals and the Soft Rock is a Micro-Mineral/Nutrient compound. Known minerals are available from rural gardens or hardware supplies.

Micro-Mineral/Nutrient compounds may be harder to source. Soft Rock is available from most rural and garden supplies. Micro-Mineral/Nutrient compounds are available from the internet or ask your garden suppliers to source them for you.

AUSTRALIA

SOIL ACTIVATOR AND FISH/SEAWEED CONCENTRATES -AVAILABLE FROM BAA (BIODINAMICS AUSTRALIA AGRICULTURE) LTD.

www.biodynamic.net.au or

PO BOX 54, BELLINGEN NSW 2454 – PH: 02 6655 0566

SOIL WITH A GOOD CLAY CONTENT IS DIFFICULT TO PURCHASE.

It has to be weed free and not sprayed with chemicals for 5 years or preferably never. There is possibly a good market for regional farmers to supply virgin clay soil either bulk or bagged to the city.

BY-PRODUCTS AND MANURES have been sold as natural and organic fertilisers over the last 40 years. There has been and there will always be the risk of harmful pathogens passing through our leafy greens to us and causing outbreaks of food poisoning. They have proved to be a bad substitute compared to well-composted soil.

Manures can be added to your RegenBiosoil only if you are confident with the composting temperature achieved. Worm castings and worm juice can always be added.

Over the last 20 years I have heard many farmers say that regenerative agriculture has no place in broad-acre farming. I think I can remember myself saying the same. We all have to face up to the truth that synthetic fertilisers are at the top of the list of causes towards the health crisis in Australia and countries who follow similar agricultural practices.

I can say one statement based on my experiences and that is:

‘The way to **REGENERATE** our **FOOD PRODUCING TOPSOILS** will be with regular applications of concentrated liquid compost injection”.

Equipment is already available for moisture injection/application and for most farmers tined implements can be adapted making them suitable for liquid compost injection.

COMPOSTED VEGETATION TO LIQUID COMPOST

Liquid Compost is totally different to Compost Tea, also it is very different to hydroponic compost which in some countries can be certified as organic.

The nutrient availability to the soil is in proportion to the amount of composted vegetation that has been diffused into liquid compost. For home and market gardeners 15 Kg of well composted vegetation can be diffused into 800 litres of water. Fermentation is maintained until it watered onto plants or injected into soil.

For lifestyle and broad acre farmers they would be diffusing well composted vegetation into a pumpable slurry. Fermentation is maintained until it is injected into the soil.

There is every possibility that pumpable liquid compost slurry will become one of the major Regenerative Practices introduced as the foundation for the future food chain.

One statement we all can make is that “***the day is getting closer to when the consumer will only purchase produce from the well composted soil***”. Also rural land values could be based on the number of Regenerative Practices introduced over time.

At this diffusion stage the Known Minerals and the Micro Mineral/Nutrient Compounds are added – see the introduction (Composition of RegenBiosoil).

RegenBiosoil is the only form of agriculture that attempts to address the problems associated with our Micro Mineral/Nutrient deficiencies.



THE ENDING

Quote from the Organic Consumer's Association dated 1st December 2021:

“We face multiple crises: mad science, engineered bioweapons disguised as biochemical or biodefense, pesticides, herbicides, GMO's, soil degradation, species extinction, air and water pollution, climate instability, the proliferation of nutrient-deficient junk food.”

To better understand the statement above please refer to the writing and YouTube videos from Dr Zach Bush and Dr Vandana Shiva. They speak about the confusion within humanity and how it is in direct proportion of our soil degradation.

With reference to the above from the Organic Consumer's Association, corruption and greed are said to be placing humanity at risk in many parts of the world.

RegenBiosoil can enable you to affordably survive outside the systems which created the above.

We can all be surprised by the *SPEED* and *EASE* that RegenBiosoil enables us to be consuming our essential foods that are grown in soil based on nature and take control of our health at the same time.

REFERENCES

Dr Zach Bush - Chemical Farming and the Loss of Human Health

- *visit YouTube and Facebook for more information*

Dr Joseph Mercola - www.mercola.com

A leader in Natural Health, he has the world's largest Natural Health Newsletter [Free] giving you the most updated trustworthy news from all over the world on SOIL, HEALTH & LIFESTYLE.

- *visit Wikipedia, YouTube and Facebook for more information*

Dr. Steven R Gundry MD – Best Selling Author

He “believes that eliminating lectins will not only lower inflammation, but will also help you lose weight and boost your overall wellness.”

His list of books are:

- Dr Grundy's Diet Evolution, The Plant Paradox Cookbook, The Longevity Paradox and Unlocking the Keto Code
- Visit Wikipedia, YouTube for more information

Dr Paul Mason, Sydney – Australia

He is aware of the biggest health issues that Australians are facing. His YouTube videos provide the most updated global and world class information on nutritional research. Paul explains how with better nutrition we can change our lives, reversing and preventing further health issues. Knowing the facts that he presents to us urges us to not to be negligent to ourselves in the future.

- *Visit YouTube and Facebook for more information*

Dr Mark Hyman – Everything you need to know about Functional Medicines.

- Visit Wikipedia, YouTube and Facebook

Dr Vandana Shiva – author of “Future of Food: Dictatorship and Democracy” and “Why We Need Organic Food”

She speaks about spirituality of soil in connection to our Common Spiritual Sense. She seems to help everyone make sense out of life.

- Visit Wikipedia, YouTube and TedX Talk for more information

More references

Note: For all those new to REGENERATIVE AGRICULTURE, just visit REGENERATION INTERNATIONAL. You will find National and Regional based groups near you.

Organic Consumer Association

Biodynamic Agriculture Australia Ltd.

Email: ross181049@gmail.com

ABOUT ROSS THOMPSON



Ross spent 42 years on a mixed-farming property on the Gwydir River at Gravesend. He now lives on the Gold Coast sugar cane lands. Since 1966, as a farmer, Ross had always been involved with the Farmers Organisations and during the 1990 Farmers Conference in Sydney he moved the motion that initiated the introduction of HACCP (Hazard Analysis Critical Control Point)

throughout Australia. Ross understood that he had to take action as he said: 'This led me to believe that if something needs to be done, you have to do it yourself'.

Ross started using synthetic fertilisers from 1967 and then started using the selective weedicide (24D) from 1968. Over the next 20 years we found that within the farming industry we had to increase the application rates of synthetic fertilisers every year. As time went on more selective weedicide were being introduced into Australia and as farmers we always seemed to be 'killing something'. The NITRATE fertilisers were killing the biology of the soil and the weedicides were not only killing the weeds but everything microbial as well.

From 1968 and over the following 20 year as farmers, we noticed that the small birds were dying in tens of thousands. The larger birds would survive whereas all small birds were dying out. Numerous species of birds disappeared throughout the region and they including canaries, finches, sparrows, wrens, budgerigars and parrots.

During 1988 Ross decided to stop using chemical farming practices and decided to re-establish native pastures on his farming land. This regeneration took approximately 2 decades and during that time he started thinking how to speed up the restoration of soil biology. This is what led to the development of RegenBiosoil.

RegenBiosoil

Future updated soil and health advice can become part of your life from the day it is released.



RegenBiosoil is possibly now the only form of agriculture that overcomes the micro-mineral & nutrient deficiencies which have led to the malnutrition crisis now present in medium to high income nations like Australia, USA, UK and NZ. These countries all follow the same farming practices.

With RegenBiosoil, the cultures based on nature are incorporated while they are followed in the biological-accumulator.

Please refer to the writings & clips of Dr Zach Bush. He states "The further we have moved away from the cultures based on nature, the greater the health crises."